

Silensor® SLS "SUPER-QUIET" POOL PUMPS

SILENSOR®



Davey's water-silenced pool pumps offer super quiet operation with high efficiency, making them the ideal choice for modern swimming pools.

FEATURES & BENEFITS

Super-Quiet - Silensor's water-cooled motor uses a small water flow around the stainless steel, corrosion proof motor shell which captures noise and vibrations allowing the Silensor's super-quiet operation (typically below 56dBa).

Cost Saving - Silensor is designed using the latest computational fluid dynamics to move water up to 15% more efficiently than most standard pool pumps. Quietness may allow operation of the pumps late at night when energy costs are much lower (off peak).

Long Lasting - Silensor's advanced design utilises high performance UV stabilised polymers for outdoor installation. Bolts, screws and highly corrodible metals that can rust and render a pump unserviceable have also been replaced with easily operated clamp rings, ensuring simple maintenance, year after year.

Dependable - Silensor features a 'Floating Neckring' system for protecting the vital mechanical seal within the pump. This system will reduce wear by excluding debris, extending service life and reducing maintenance. Automatic 'Dry Run' protection will stop the pump running when it has no water moving inside the pump which is the major cause of premature pump failure.

Performance - Silensor features a patented clamped impeller design aiding in pump priming and improving the options for positioning the pump in more versatile locations.

Convenient - SLS models are an ideal replacement for Davey PACR & PA models.

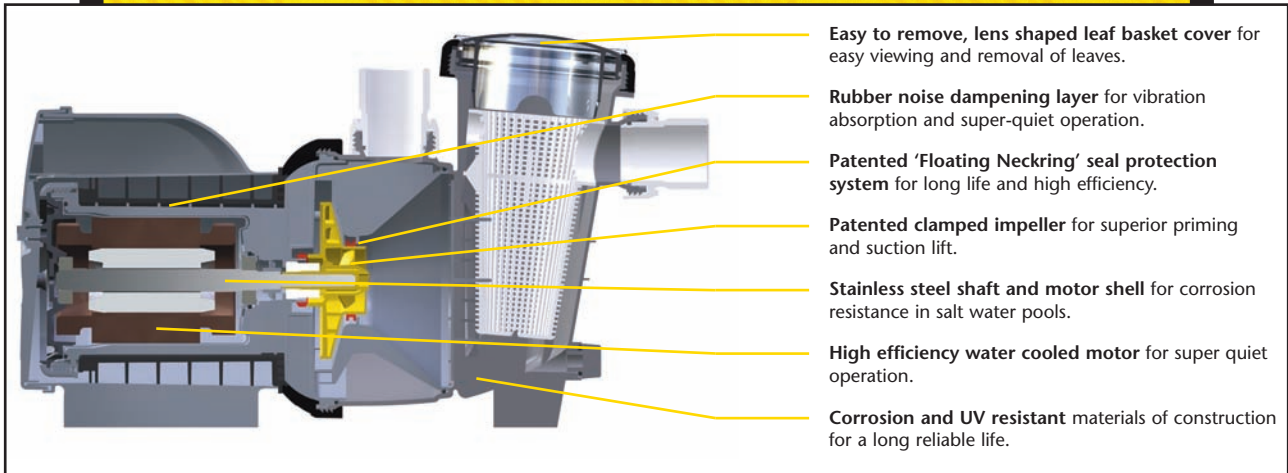
DEPEND ON
DAVEY

WATER PRODUCTS

DESIGNED & MADE IN AUSTRALIA 3yr FULL GUARANTEE



Silensor® SLS "SUPER-QUIET" POOL PUMPS



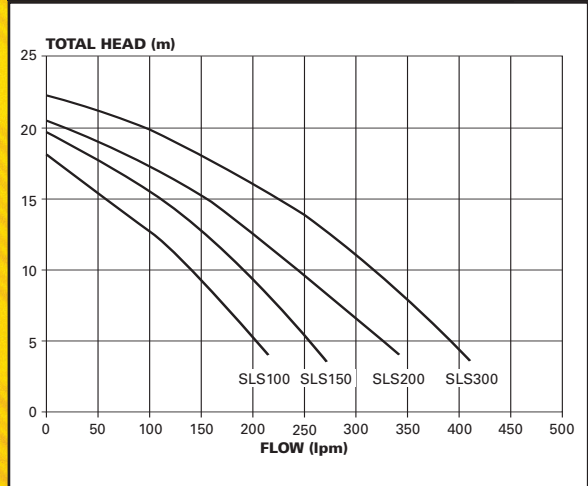
ELECTRICAL DATA

Model No.	SLS 100	SLS 150	SLS 200	SLS 300
Voltage (V)	220-250			
Supply Frequency	50Hz			
Start Current (A)	18	18	18	20
Run Current (A)	3.6	4.0	4.9	5.9
Motor Input Power (W)/hp	740/1	860/1.2	1090/1.5	1400/1.9
Motor Output Power (W)/hp	525/0.7	620/0.8	775/1	960/1.3
RPM	2850			
Enclosure Class (IP)	56			
Insulation Class	F			
Approval No.	V06258			

OPERATING LIMITS

Model No.	SLS 100	SLS 150	SLS 200	SLS 300
Water Temperature	Max 35°C			
Ambient Temperature	Max 55°C			
dBa @ 1 metre	56	55	54	54

HYDRAULIC PERFORMANCE

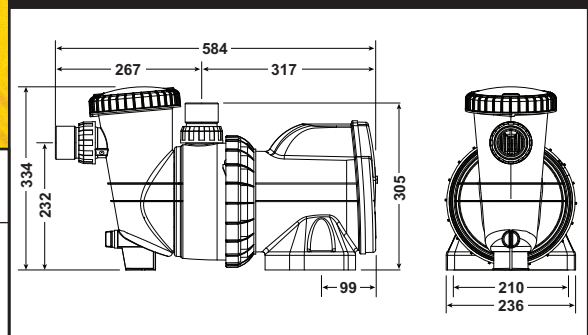


MODEL NUMBER IDENTIFICATION

SLS	300
SLS = Silensor Small (PACR Replacement)	300 = 300lpm in a typical installation.

MODEL	Mounting Holes Dia.	Inlet P.V.C. (mm)	Outlet P.V.C. (mm)	Net Weight (kg)
SLS 100	10mm x 34mm deep	40/50	40/50	11.0
SLS 150		40/50	40/50	11.0
SLS 200		40/50	40/50	11.5
SLS 300		40/50	40/50	11.5

DIMENSIONS



All dimensions in mm unless otherwise stated.

DEPEND ON
DAVEY

WATER PRODUCTS



Davey Water Products Pty Ltd

Member of the GUD Group
ABN 18 066 327 517

Head Office and Manufacturing

6 Lakeview Drive,
Scoresby, Australia 3179
Ph: +61 3 9730 9222
Fax: +61 3 9753 4100
Website: davey.com.au

Customer Service Centre

Ph: 1330 2 DAVEY (1300 232 839)
Fax: 1300 369 119
E-mail: sales@davey.com.au

Interstate Offices

Sydney • Brisbane • Adelaide •
Perth • Townsville

International

6 Lakeview Drive,
Scoresby, Australia 3179
Ph: +61 3 9730 9121
E-mail: export@davey.com.au

USA

Website: daveyusa.com
E-mail: export@davey.com.au

Davey Water Products

- New Zealand
7 Rockridge Avenue,
Penrose, Auckland 1061
Ph: +64 9 570 9135
Fax: +64 9 327 7654
Website: daveynz.co.nz
E-mail: sales@daveynz.co.nz

Davey Spa - New Zealand

2 Rothwell Avenue,
North Harbour, Auckland 0632
Ph: +64 9 415 8622
Fax: +64 9 415 8621
Website: spa-quip.co.nz
E-mail: service@spa-quip.co.nz

